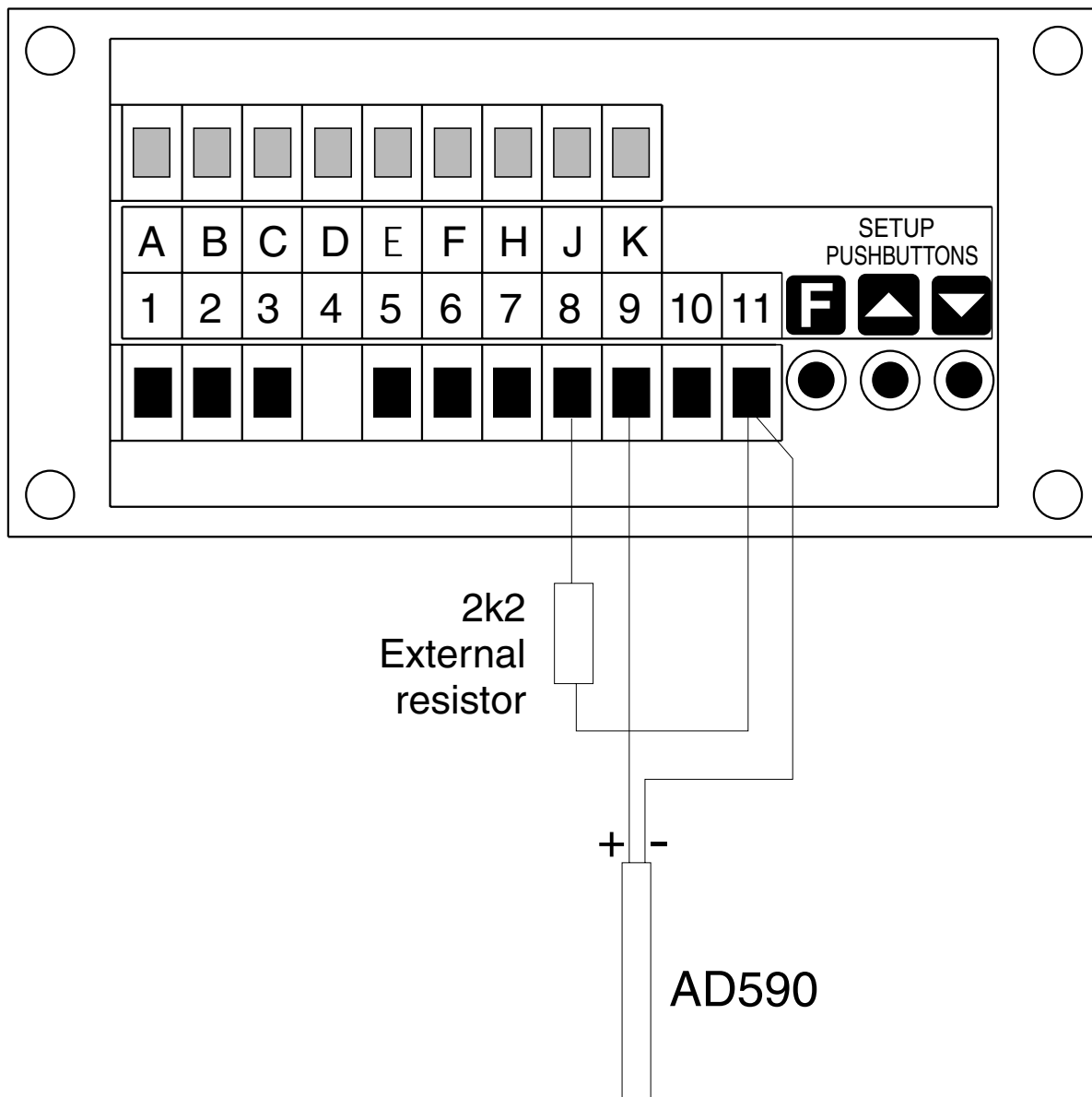


# Application Note: AN30

## Attaching AD590 temperature sensor to PM4-IV



Connecting AD590 temperature sensor to model PM4-IV.  
Input range should be set to 1VDC.