

# Large digit displays - 38, 45, 57 or 58mm digit height models

## LD-RTC real time clock

The LD-RTC with the 38mm, 45mm, 57mm & 58mm displays will be ideal for where time displays need to be visible at a distance. The instrument can be used for providing alarm functions at chosen days and times with up to 32 alarm settings available. High contrast versions, viewable even in bright sunlight are available in 38mm and 58mm digit height in red, green, amber or white.

### Displays



6 digit 38mm high LED (visibility to 18m)



4 digit 57mm high LED (visibility to 25m)

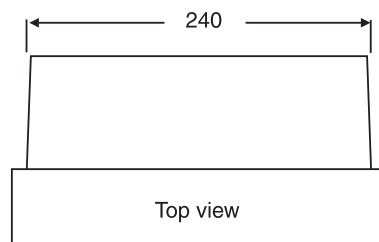
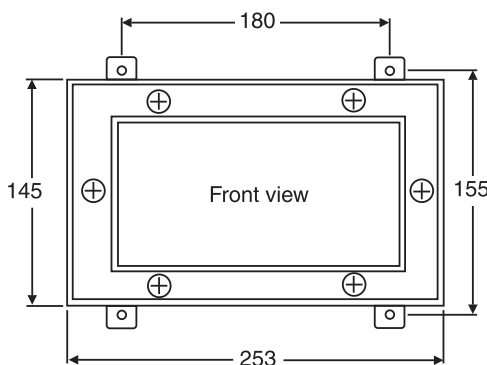


4 digit high contrast 58mm high green LED (visibility to 25m)

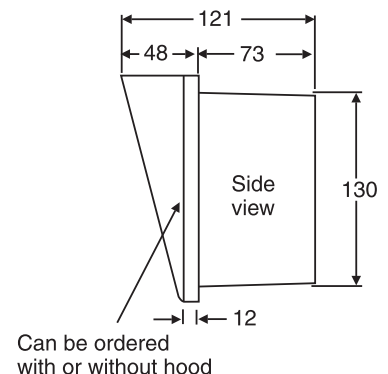


### Features

- 6 x 38mm LED - visibility rating to 18m
- 5 x 45mm LED - visibility rating to 20m
- 4 x 57mm & 58mm LED - visibility rating to 25m
- High contrast, daylight viewable 38 or 58mm versions in green, red, amber or white
- Real time clock with choice of displays 12 hour, 24 hour or month & day display
- Internal clock chip, 50Hz or 60Hz mains, optional high accuracy crystal or optional GPS synchronisation
- 2 configurable setpoint relays standard capacity 240VAC, 5A, form A. Each relay can be allocated more than one alarm period up to a total of 32 alarm periods
- IP65 rated wall mount enclosure
- Panel mount kit available
- Pushbutton setup and scaling
- Automatic daylight saving adjustment
- Remote input can be configured for access or brightness control
- RS232 or RS485 serial communications or master/slave clock optionally available
- The auto-brightness feature for LED displays varies the display brightness to suit the ambient light
- 2 year guarantee
- See separate brochures for 39mm flip digit, 100mm LED and flip digit and 200mm LED display models



All dimensions in mm



LDRTC384557-2.7-0

**AMALGAMATED INSTRUMENT CO PTY LTD**

ACN: 001 589 439

Unit 5, 28 Leighton Place Hornsby  
NSW 2077 Australia

Telephone: +61 2 9476 2244  
Facsimile: +61 2 9476 2902

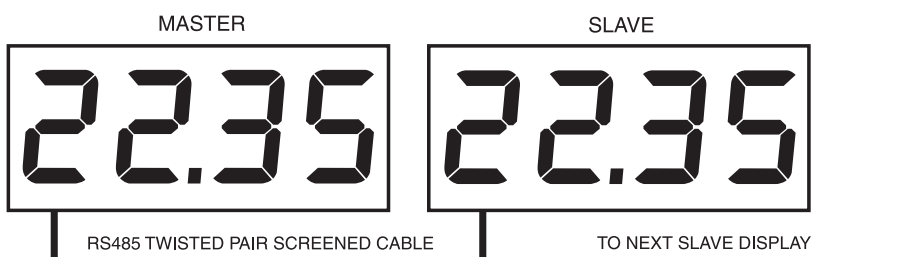
e-mail: sales@aicpl.com.au  
Internet: www.aicpl.com.au

## Specifications

Function:	Real time clock
Display modes:	12 or 24 hour clock, date or number of days display
Clock sync:	50Hz mains, 60Hz mains, internal clock reference, optional high accuracy crystal or optional GPS satellite synchronisation
Retention:	Display will blank during periods of no power - battery backed clock chip keeps time during these periods
Accuracy:	50 or 60Hz mains sync. - accurate to mains Internal clock chip - $\pm 30$ seconds per month Optional high accuracy crystal - $\pm 3$ seconds per month GPS - accurate to GPS system $\pm 0.1$ sec
Microprocessor:	MC68HC11 CMOS
Ambient temp:	-10°C to 60°C
Humidity:	5% to 95% non condensing
Display types:	38mm 6 digit red, green, amber or white LED with alarm annunciators and 4 way keypad 45mm 5 digit red LED with alarm annunciators and 4 way keypad 57mm red or 58mm 4 digit red, green, amber or white LED See separate LD-RTC brochures for other display sizes
Power supply:	See order code table (type is factory configured)
Power usage:	AC supply 15VA max, DC supply typically 100mA at 24VDC for 38 & 45mm standard brightness, 250mA at 24VDC for 57mm or 38 & 58mm high contrast
Outputs (standard):	2 x relays, form A, rated at 240VAC, 5A resistive
Outputs (optional):	See order code table (type is factory configured)
Relay action:	Programmable N.O. or N.C.
Environmental rating:	IP65
Weight:	1.3 kg
Dimensions:	See front page

## Master/Slave operation

In master slave configuration the master clock periodically updates each master clock in the serial communications loop. Each clock will operate independently if the communications fail. This mode of operation requires that the serial communications option is fitted, usually this will be RS485.



LDRTC384557-2.7-0

---

**AMALGAMATED INSTRUMENT CO PTY LTD**

ACN: 001 589 439

Unit 5, 28 Leighton Place Hornsby  
NSW 2077 Australia

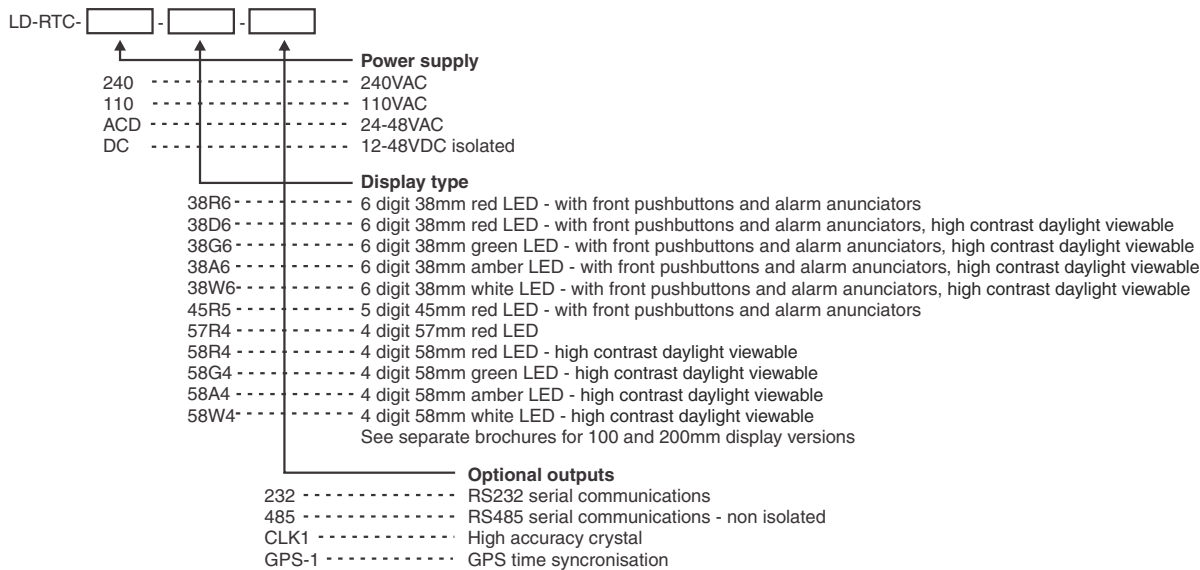
Telephone: +61 2 9476 2244  
Facsimile: +61 2 9476 2902

e-mail: sales@aicpl.com.au  
Internet: www.aicpl.com.au

## LD-RTC order codes for 38, 45, 57 or 58mm displays

The last section is for optional outputs (if required).

Optional outputs are factory configured.

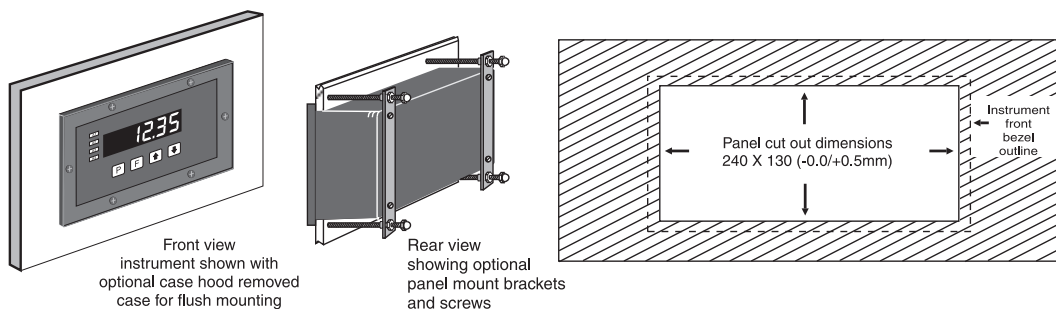


## Panel mounting

The instrument is provided with removable surface (e.g.wall) mounting tabs mounting to cover most common timing requirements. A panel mount kit is optionally available which allows the instrument to be mounted in a panel cut out. If required the instrument can be optionally supplied with the front hood removed to allow a more flush panel mount fitting.

Part number for panel mount kit: LD-MTG-PM-KIT

Part number for hood removal: LD-HOOD-REMOVAL



## Applications/input types available with large digit display models

- Analog input, process transmitters etc.  $\pm 20\text{mA}$ , 4-20mA or  $\pm 2.5\text{VDC}$  or  $\pm 25\text{VDC}$
- Pulse input, rate, total, count, grand total (encoders, switches, proximity sensors etc.)
- Temperature - RTD, thermocouple, 4-20mA
- Weighing - 4 or 6 wire mV/V output loadcells
- Pressure measurement - 4 or 6 wire mV/V pressure sensors or 4-20mA analog transducers
- Liquid level measurement - 4 or 6 wire mV/V pressure sensors or 4-20mA analog transducers
- Serial input - RS232, RS485, Serial current loop for slave displays etc.
- Synchronous Serial Interface (SSI) for high accuracy position etc. measurement
- Binary, BCD or Gray Code input
- Real Time clock with alarms
- Multifunction timer - elapsed time, stopwatch, run time etc.

LDRTC384557-2.7-0

AMALGAMATED INSTRUMENT CO PTY LTD

ACN: 001 589 439

Unit 5, 28 Leighton Place Hornsby  
NSW 2077 Australia

Telephone: +61 2 9476 2244  
Facsimile: +61 2 9476 2902

e-mail: sales@aicpl.com.au  
Internet: www.aicpl.com.au