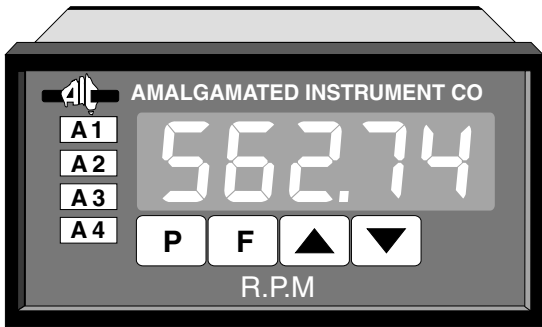


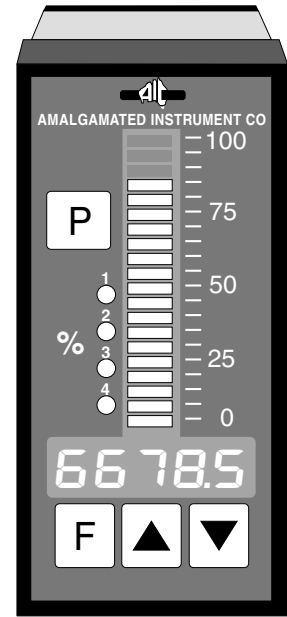
Intelligent PM4 Monitors

Model PM4-ML

Manual Loading Station



14.2mm LED 5 digit plus keypad and alarm LEDs



20 segment LED bar graph plus 7.6mm LED 5 digit display with keypad

Description

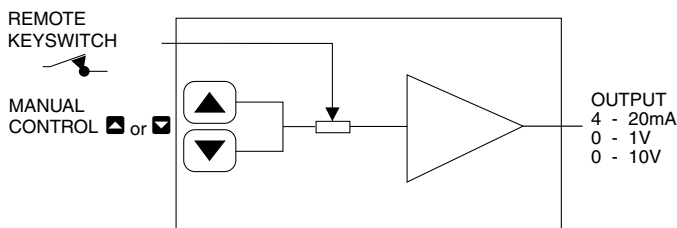
The PM4-ML Manual Station is a versatile instrument which provides a manually controlled output as a 4 - 20mA, 0 - 1V or 0 - 10V analog signal. The instrument may be calibrated to display the output directly in engineering units.

Each instrument is supplied with a single alarm/control relay output with programmable high and low trip levels and programmable hysteresis.

The output ramp time, over which the output will ramp from 0 to 100% when the keypads are held down, is programmable from 0 to 255 seconds.

A keyswitch may be used to inhibit the operation of the keypads by unauthorised personnel.

The PM4-ML is available with a wide range of power supplies and an optional extra relay and power output. Electrical isolation between power supply and retransmission output is provided, eliminating common mode voltage problems. This makes the PM4 ideal for interfacing to computers, PLCs and other digital devices.



Features

- Optically isolated output in mA or Volts
- Programmable smooth ramping
- Keypad control, calibration and setup
- Isolation between output & power supply
- Alarm/control relay output (5A)
- Remote input for security lockout
- Displays in engineering units
- Independent scaling for bargraph and seven segment display on bargraph versions
- Programmable ramp delay
- Computer tested
- 240V, 110V, 32V, 24V AC, 12 to 48V DC or 50 to 110 V DC operation (factory configured)
- Rugged construction
- 2 year guarantee

Options

- Other models available to measure temperature, weight, 4 - 20mA/DC Volts, AC Volts/Amps, frequency/pulse totaliser, conductivity, pH, BCD, RS232, RS485 etc.
- Extra relay output (5A)

PM4ML-2.0-1

SPECIFICATIONS

Specifications are subject to change without notice

TECHNICAL SPECIFICATIONS

Input: Front panel / keypads
 Keypad inhibit: Voltage free contact closure across terminals 7 & 8
 Microprocessor: MC68HC05C8 CMOS
 Ambient temp: -10 to 60°C
 Humidity: 5 to 95% non condensing
 Display types: 5 digit 14.2mm + status LEDs + 4 way keypad or 20 segment bar graph with 5 digit 7 segment 7.6mm display and 4 way keypad
 Power Supply: AC 240V, 110V, 32V, 24V AC 12 to 48V DC or 50 to 110 VDC (factory configured)
 Power usage: AC supply 4 VA max, DC supply, consult supplier (depends on options)
 Output (relay 1): 1 x relay, form A, rated 5A resistive relay status indicates auto or manual

Relay action: Programmable N.O. or N.C.
 Retransmission: **Analog** 4 to 20mA, 0 to 1V and 0 to 10V link selectable. Note 0 - 10 V range not available with DC powered models

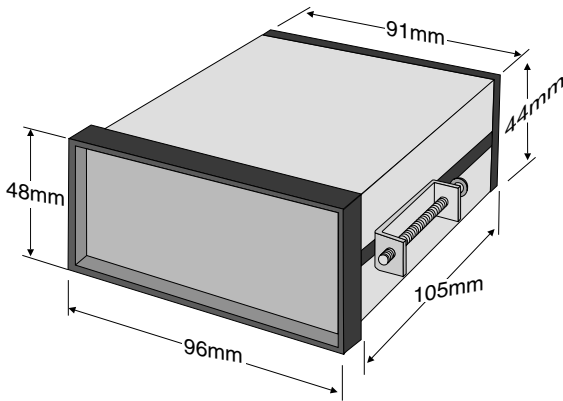
OUTPUT OPTIONS

Extra relay: Same specs as relay 1 (form C optional)

PHYSICAL CHARACTERISTICS

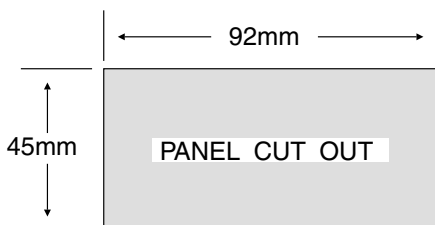
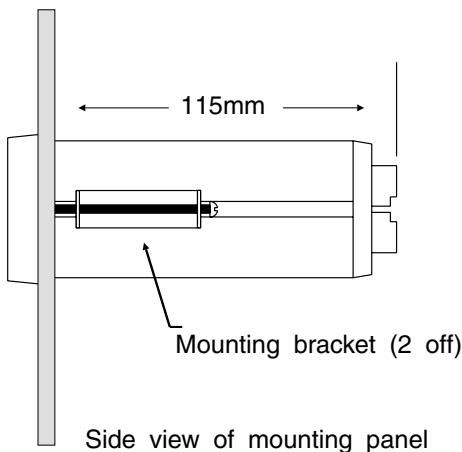
Bezel size: DIN 48mm x 96mm x 10mm
 Case size: 44mm x 91mm x 115mm behind face of panel
 Panel cut out: 45mm x 92mm +1mm &- 0mm
 Connections: Plug in screw terminals (max 2.5mm² wire)
 Weight: 400 gms basic model, 450 gms with option card

INSTRUMENT DIMENSIONS

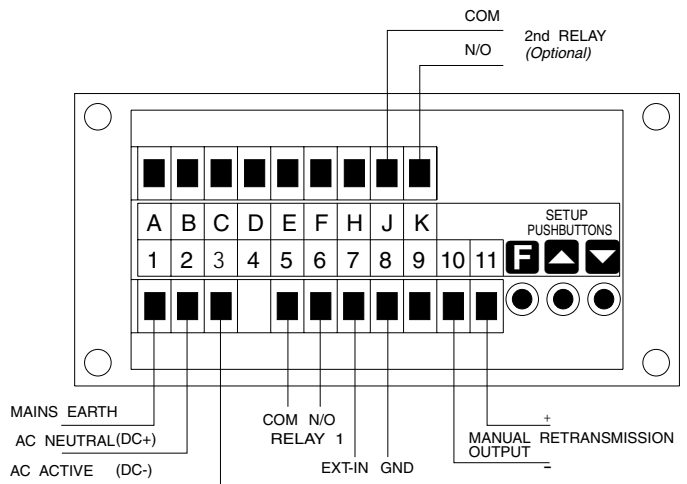


PANEL MOUNT INSTALLATION

NOTE:-
BARGRAPH MODEL MOUNTS VERTICALLY



ELECTRICAL CONNECTIONS



ORDER CODE

PM4-ML- - -
POWER SUPPLY
PM4-ML- - -
 240 VAC
 110 VAC
 32 VAC
 24 VAC
 12 to 48 VDC
 50 to 110 VDC
DISPLAY TYPE
PM4-ML- - -
 5 DIGIT LED + KEYPAD & ALARM LEDs
 BARGRAPH + 5 DIGIT DISPLAY + KEYPAD
2ND RELAY OUTPUT
PM4-ML- - -

An Auto/Manual station panel meter is also available, model PM4-AM. See separate brochure for details.