

Intelligent PM4 Monitors

Model PM4-RS

RS232, RS485, RS422 or serial current loop input



4 digit LED 20mm digit height



4 digit LCD 12.7mm digit height



5 digit LED 14.2mm digit height



6 digit LED 14.2mm digit height



8 digit LED 10mm digit height



6 digit LCD 12.7mm digit height



Circular graph and 5 digit display



20 segment bargraph and 5 digit display

Description

The AIC PM4-RS provides the versatility and flexibility needed to interface with a wide range of serial data types. The PM4 contains flexible function settings which allow it to accept and display data from a wide variety of serial data sources. Baud rate, parity, data bits and other parameters are easily set up by the user via the instruments pushbuttons using the "on display" easy to follow message prompts.

One alarm relay is provided as standard, up to six extra relays can be optionally provided. Other options include isolated retransmission which allow the instruments to retransmit as a serial (RS232 or RS485 with choice of ASCII or Modbus RTU protocols) or analog (4-20mA, 0-1V or 0-10VDC) signal.

The retransmission option allows the PM4-RS to be used as a serial to serial or serial to analog converter with display. An alpha character feature allows certain alpha characters to be displayed. This feature is ideal for displaying special messages (e.g. HELP, OPEN, CLOSE etc.).

The PM4-RS is also capable of transmitting a polling command of up to 8 characters to request data from another instrument. The PM4-RS is ideal for interfacing to computers and other serial data sources where remote or multiple displays are required.

Features

- RS232, RS485, RS422 or serial current loop input (factory configured) selectable as ASCII or Modbus RTU protocol
- Pushbutton programming
- Alarm relay output
- Serial data reduces the risk of electrical noise causing corruption of the signal
- Rugged construction
- 240V, 110V, 32V, 24V AC, 12 to 48 V DC or 50 to 110 V DC operation (factory configured)
- Polling output facility
- 2 year guarantee
- Programmable Baud rate, Parity, Decimal point and Data bits (7 or 8)
- Programmable Terminating characters (1-255), Skip characters (0-255) and Alpha enable
- Wide range of options available:
 - Single or dual analog retransmission
 - Additional setpoint relays
 - RS232 or RS485 serial communications
 - Isolated transmitter supply 24VDC (± 12 VDC)

PM4RS-3.4-0

AMALGAMATED INSTRUMENT CO PTY LTD

ACN: 001 589 439

Unit 5, 28 Leighton Place Hornsby
NSW 2077 Australia

Telephone: +61 2 9476 2244
Facsimile: +61 2 9476 2902

e-mail: sales@aicpl.com.au
Internet: www.aicpl.com.au

Specifications

Technical Specifications

Input types: RS232,RS485, RS422 or 20mA current loop (factory configured) selectable as ASCII or Modbus

Baud rate: Programmable 300, 600, 1200, 2400, 4800, 9600, 19.2k or 38.4k

Microprocessor: MC68HC11 CMOS

Ambient temp: LED models -10°C to 60°C, LCD models -10°C to 50°C

Humidity: 5% to 95% non condensing

Display types: **LED models:**
 4 digit 20mm,
 5 digit 14.2mm,status LEDs and 4 way keypad.
 6 digit 14.2mm and 4 way keypad
 8 digit 10.2mm and 4 way keypad
 20 segment LED bar graph,
 5 digit display and 4 way keypad
 16 segment circular " bargraph",
 5 digit display and 4 way keypad

LCD models:
 4 digit or 6 digit 12.7mm

Power supply: 240, 110, 32, 24VAC 50/60Hz, 12 to 48VDC or 50 to 110VDC (factory configured)

Power usage: AC supply 4 VA max, DC supply, consult supplier

Output (standard): 1 x relay, form A, rated 5A resistive

Relay action: Programmable N.O. or N.C.

Output Options

Extra relays: 1, 3 or 6 extra relays available

Retransmission: Analog (4-20mA, 0-1VDC or 0-10VDC) (single or dual channel versions)
 Serial RS232 or RS485, choice of ASCII or Modbus RTU protocols
 Digital Binary or BCD

DC voltage out: Isolated 24V (±12V), 20mA

Physical Characteristics

Bezel size: DIN 48mm x 96mm x 10mm

Case size: 44mm x 91mm x 115mm behind face of panel

Panel cut out: 45mm x 92mm (+1mm & -0mm)

Connections: Plug in screw terminals

Weight: 400g basic model, 450g with option card

PM4-RS Order Codes

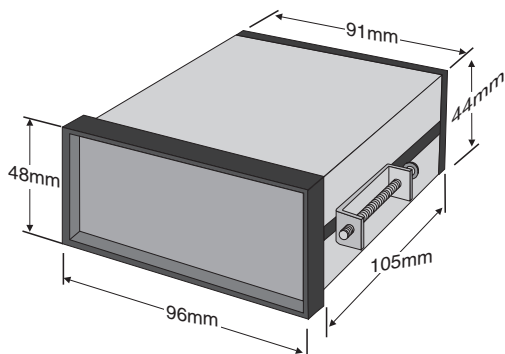
| | |
|--|------|
| PM4-RS - [] - [] - [] | |
| Power Supplies | |
| PM4-RS - [XXX] - [] - [] | |
| 240VAC | 240 |
| 110VAC | 110 |
| 32VAC | 32 |
| 24VAC | 24 |
| 12 to 48VDC | DC |
| 50 to 110VDC | DCH |
| Display Type | |
| PM4-RS - [] - [XXX] - [] | |
| 4 DIGIT LED | 4E |
| 5 DIGIT LED + KEYPAD & ALARM LEDs | 5E |
| 6 DIGIT LED + KEYPAD | 6E |
| 8 DIGIT + KEYPAD | 8E |
| BARGRAPH + 5 DIGIT DISPLAY + KEYPAD | 5BP |
| CIRCULAR BARGRAPH + 5 DIGIT DISPLAY + KEYPAD | 5GP |
| 4 DIGIT LCD | 4C |
| 6 DIGIT LCD | 6C |
| Options | |
| PM4-RS - [] - [] - [XXX] | |
| ANALOG (4-20mA, 0-1V or 0-10V selectable) | A |
| DUAL ANALOG (4-20mA, 0-1V or 0-10V selectable) | AA |
| RS232 | 2 |
| RS485 | 4 |
| BCD/Binary NPN | DN |
| BCD/Binary PNP | DP |
| DC VOLTAGE OUTPUT 24V (±12V) | 12 |
| 1 EXTRA RELAY | R |
| 3 EXTRA RELAYS | RRR |
| 6 EXTRA RELAYS | R6 |
| ANALOG + 1 EXTRA RELAYS | AR |
| ANALOG + 3 EXTRA RELAYS | ARRR |
| ANALOG + 6 EXTRA RELAYS | AR6 |

The valid optional output combinations for PM4-RS models are: -R12, -AR, -ARRR, -AAR, -A12, -AR12, -AR6, -A2, -A2R, -A4, -A4R, -2R, -2R12, -4R, -4R12

PM4-RS Accessories

| Description | Model No. |
|----------------------------------|-----------------|
| IP65 access cover | COVER-IP65 |
| Wall mount enclosure | ENC-PM1-01 |
| Wall mount encl. with IP65 cover | ENC-IP65-PM1-01 |
| Surface mount kit | PM4-OPT-SMKIT |
| Portable/bench enclosure AC | ENC-PM-AC |
| Portable/bench enclosure DC | ENC-PM-DC |

PM4-RS case dimensions



PM4-RS panel mounting details

