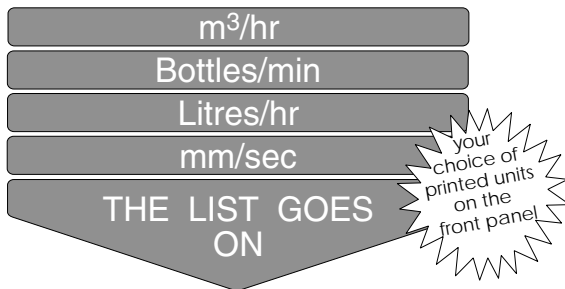


Ratometer - Model PM6-FX



Features

- Functions as ratemeter/tachometer
- Input frequency up to 10kHz
- 4 digit high brightness LED display
- Large 20mm high digits
- Display viewing distance up to 10m
- Programmable display brightness
- Easily scaled to read in engineering units
- Can be scaled without the need for test equipment or special tools
- Adjustments by rear pushbuttons
- Calibration and set up data stored in EEPROM
- Programmable decimal point
- Programmable digital filter
- Leading zero blanking
- Visual user selectable low and/or high frequency limit warning via display blanking
- "Low range" function allows input down to 0.25Hz without the annoying flashing between the indication and zero readings often associated with low frequency inputs
- Inbuilt transmitter supply, +5VDC or unregulated 18 to 24VDC. (unregulated. supply on AC powered models only)
- 240 V, 110V, 32V, 24V AC, non isolated 12 to 24V DC or isolated 12 to 48V DC or 50 to 110 VDC (factory configured)
- Plug-in screw electrical terminals
- DIN size 48mm x 96mm bezel
- State of the art microprocessor design
- Computer tested and pre-calibrated
- High reliability surface mount electronics

Description

The PM6 panel mount display features easy to use set up programming functions. Changes to the scaling and other program settings are made using three pushbuttons located at the rear of the instrument.

The PM6-FX accepts pulse inputs and may be scaled to read directly in your engineering units. The PM6-FX can accept its input pulses from most common sensor types such as NPN, PNP, switch contact, magnetic pickup output, TTL, CMOS etc. type devices.

Applications include flow rate, litres/hr, RPM, bottles/min, wind speed etc.

A display hold external input is provided. The instrument has a 5V transmitter supply on all models plus a 24VDC unregulated transmitter supply on AC powered models.

User selectable low and/or high frequency values can be programmed and display blanking used as a warning that these values have been exceeded. A special feature of the PM6 is the programmable display brightness, which allows the display intensity to be reduced to conserve power or to reduce glare in darker areas.

Your choice of legend (e.g. R.P.M.) can be printed on the front of the instrument.

The PM6 is packaged in a rugged industrial $\frac{1}{8}$ DIN panel mount enclosure, with a behind panel depth of only 115mm. Electrical connections are made via plug in type screw terminals for ease of installation, maximum wire diameter 2.5mm².

Specifications and Ordering Information

Specifications are subject to change without notice

TECHNICAL SPECIFICATIONS

Input:	Selectable types inc: NPN, PNP, switch contact, magnetic pickup output from TTL or CMOS etc.
Frequency range:	10kHz Max. 0.25Hz Min.
Signal voltage:	48VDC or RMS Max. 100mV Min.
Input impedance:	10KΩ
Display update:	4/sec. nominal (depends on settings)
Measurement:	Reciprocal time period technique
Microprocessor:	MC68HC05C8 CMOS
Ambient temp:	-10 to 60°C
Humidity:	5 to 95% non condensing
Display type:	4 digit red 20mm digit height
Power supply:	240V, 110V, 32V, 24V AC non isolated 12 to 24V DC or isolated 12-48V DC or 50-110VDC (factory configured)
Power usage:	AC supply 2VA + transmitter current DC supply 2W + transmitter current

Transmitter supply:	5VDC regulated - all models or 18 to 24VDC unregulated, (20mA maximum) - AC models only
---------------------	--

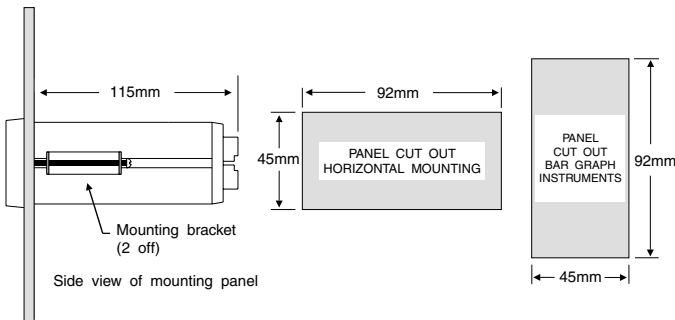
PHYSICAL CHARACTERISTICS

Bezel size:	DIN 48mm x 96mm x 10mm
Case size:	44mm x 91mm x 120mm behind face of panel
Panel cut out:	45mm x 92mm +1mm &- 0mm
Connections:	Plug in screw terminals (max 2.5mm ² wire)
Weight:	400 gms unpacked

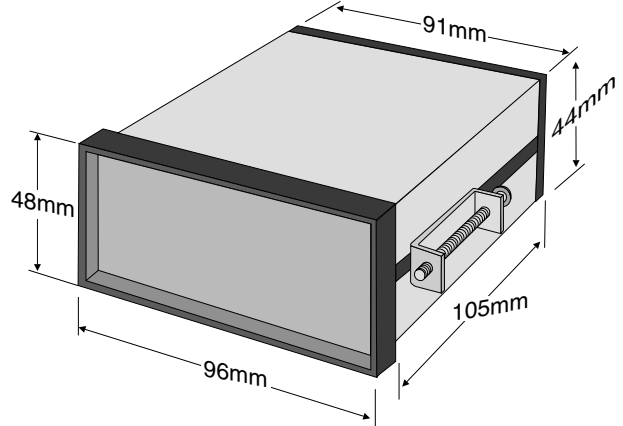
ORDER CODE

240VAC powered:	PM6-FX-240-4E
110VAC powered:	PM6-FX-110-4E
32VAC powered:	PM6-FX-32-4E
24VAC powered:	PM6-FX-24-4E
12-48VDC powered (isolated):	PM6-FX-DC-4E
50-110VDC powered:	PM4-FX-DCH-4E
12-24VDC powered (non isolated):	PM6-FX-DCN-4E

PANEL MOUNT INSTALLATION



INSTRUMENT DIMENSIONS



ELECTRICAL CONNECTIONS

