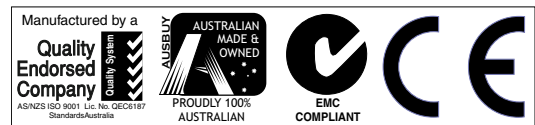


RT4-LP Field Mount IP65 Loop Powered Indicator



Description

The RT4-LP 2 wire loop powered indicator is ideal for remote monitoring.

The RT4 offers high performance and reduced installation costs through its 2 wire design.

The transmitter is housed in a compact IP65 enclosure suitable for wall or surface mounting. An optional DIN rail attachment allows the instrument to be mounted within an alternative enclosure.

A choice of linear display or square root extractor display can be selected by the user.

The onboard digital display provides a continuous, scaleable, display of the 4 - 20mA (or 10-50mA, programmable selection) input.

Easy to follow 'on display' messages assist the user to set up and calibrate the transmitter. The RT4 is supplied factory calibrated and tested. Since the instrument utilises pushbutton calibration the instrument may be scaled/calibrated without test equipment.

A remote input can be used to perform special functions such as maximum, minimum, peak or display hold.

Features

- 2 wire loop powered design for simple installation and reduced installation cost
- Digital pushbutton calibration and set up - no tools required
- Rugged flush mount/wall mount IP65 enclosure
- Microprocessor based design
- High reliability surface mount electronics
- Computer tested and pre-calibrated
- Calibration and set up data is stored in EEPROM
- Programmable digital filter - reduces susceptibility to interference
- Inbuilt square root extractor
- Scaleable 4-20mA (or 10-50mA, program selectable) over any segment of the measuring range
- High contrast LCD display
- 4 digit or 4¹/₂ digit display versions
- 2 Year Guarantee
- Remote input to perform special functions e.g. maximum, minimum, peak, display hold

SPECIFICATIONS

Specifications are subject to change without notice

TECHNICAL SPECIFICATIONS

Input:	4 to 20mA or 10 to 50mA via program selection.
Loop voltage drop:	3V nominal at 20mA 3.5V nominal at 50mA
Current range:	Measurable range 3.5 to 50mA
Input protection:	150mA either direction
Display range:	4 digit -1999 to 9999 4.5 digit -19999 to 19999
Accuracy:	0.025% of full scale when calibrated
Sample rate:	4 per second
Microprocessor:	MC68705C8 CMOS
Ambient temp.:	-10 to 50°C
Humidity:	5 to 95% non condensing

Display:	LCD 4 digit 12.7mm or LCD 4 1/2 digit 10.2 mm
Power supply:	Powered by 4 to 20mA or 10-50mA loop

ELECTRICAL CONNECTIONS

Loop power:	Screw terminals (1.5mm ² wire max)
-------------	--

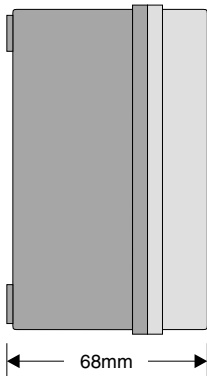
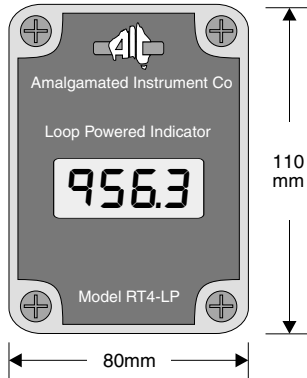
PHYSICAL CHARACTERISTICS

Case dimensions	110mm(h) x 80mm(w) x 68mm(d)
Mounting holes:	90mm (h) x 60mm(w)
Weight:	300g unpacked

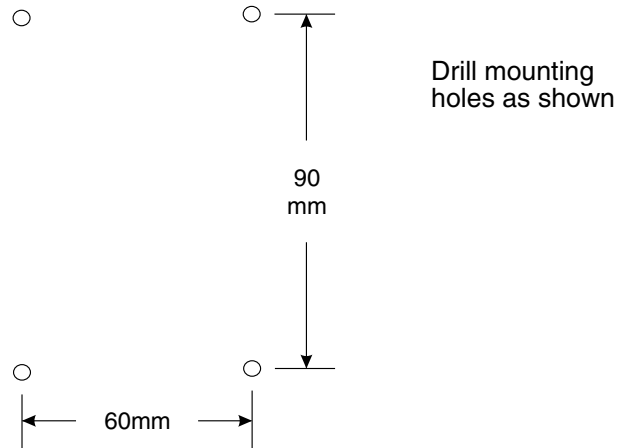
ORDER CODES

4 digit model -	RT4-LP-4C
4 1/2 digit model -	RT4-LP-5C

ENCLOSURE DIMENSIONS



MECHANICAL INSTALLATION



ELECTRICAL CONNECTIONS

