

Field Mount IP65 loop powered indicators

RT6-LP-4C 4 digit & RT6-LP-6C 6 digit

Scalable indication of 4-20mA or 10-50mA 2-wire loop



Features

- Pushbutton configurable to scale/calibrate, select decimal point, digital filter and resolution
- 4-20mA or 10-50mA (user selectable)
- 4 or 6 digit displays for high accuracy and readability
- 6 digit model offers ratemeter/totaliser functions
- Scaling without test equipment or special tools
- Square root function standard
- High contrast LCD displays
- Two remote inputs to perform special functions e.g. maximum, minimum, peak hold, or display hold. The 6 digit ratemeter/totaliser also has "Clear Total" as a remote function.
- Programmable digital filter improves display stability by smoothing out short term noise
- Rugged construction
- Housed in IP65 wall mount/ field mount enclosure
- 2 year guarantee

Description

The RT6-LP-4C and RT6-LP-6C microprocessor based, 2-wire loop powered displays have been designed for field mount or wall mount applications.

The RT6-LP-4C is a 4 digit loop-powered indicator

The RT6-LP-6C offers ratemeter/totaliser functions from the 4-20mA loop with a 6 digit display.

The RT6-LP models are indicators with a high contrast LCD displays with 12.7mm digits to ensure excellent visibility. All function settings and calibration is achieved by user programmable pushbuttons (pushbutton functions include decimal point, digital filter, resolution, square root extractor etc.). The displays are fully scalable to read in engineering units. The RT6-LP-4C and RT6-LP-6C are supplied factory calibrated and computer tested. Since the instrument utilises pushbutton setup it can be scaled and configured without special test equipment or the need to dismantle to select components.

The instrument is powered from the loop and will accept 4-20mA or 10-50mA current loops (user configurable).

Electrical connections are made via plug in terminal blocks.

The programmable digital filter improves stability by smoothing out short term interference.

Two external inputs are configurable to perform one of various functions e.g. maximum value, minimum value, peak hold or display hold. The RT6-LP models are housed in a rugged IP65 rated field mount or wall mount enclosures.



Order Code: 4 digit model RT6-LP-4C
6 digit model RT6-LP-6C

RT6LP-1.4-0

AMALGAMATED INSTRUMENT CO PTY LTD

ACN: 001 589 439

Unit 5, 28 Leighton Place Hornsby
NSW 2077 Australia

Telephone: +61 2 9476 2244
Facsimile: +61 2 9476 2902

e-mail: sales@aicpl.com.au
Internet: www.aicpl.com.au

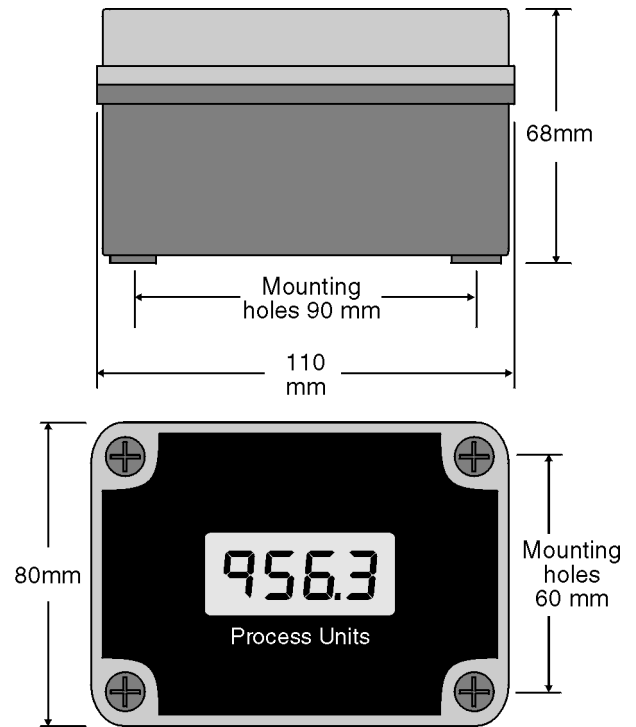
Technical Specifications

| | |
|-----------------------|---|
| Input | 4-20mA or 10-50mA (user selectable) |
| Current range | Measurable 3.5mA to 22mA (4-20mA input) Measurable 9.0mA to 55mA (10-50mA input) |
| Input protection | 150mA either direction |
| Voltage Drop | 2V at 4mA, 2.3V at 20mA nominal |
| ADC resolution: | 15 bit |
| Decimal points: | 0 to 3 decimal point places (selectable) |
| Calibration range: | Anywhere within the instrument display range |
| Overrange indication: | - - - - on display |
| Accuracy: | 0.025% of full scale when calibrated $\pm 50\text{ppm}/^{\circ}\text{C} \pm 1$ digit |
| Sample rate: | 2.5 updates per second |
| Display update: | 2.5 times per second |
| Ambient temp: | -10°C to 50°C |
| Humidity: | 5 to 95% non condensing |
| Display: | 4 digit or 6 digit 12.7mm liquid crystal display |
| Power supply: | Powered by the 4-20mA or 10-50mA loop |

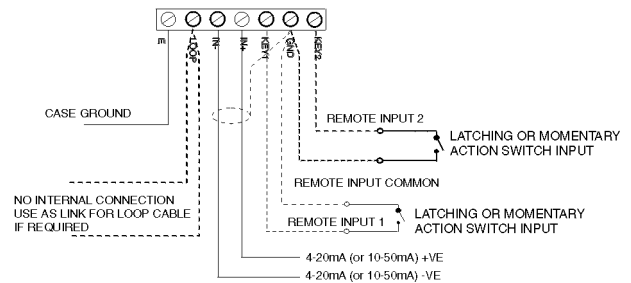
Physical Characteristics

| | |
|-----------------|--|
| Case size: | 110mm (w) x 80mm (h) x 68mm (d) |
| Connections: | Screw terminals (max 2.5mm ² wire) |
| Weight: | 250g unpacked |
| IP rating | IP65 |
| Mounting holes: | Hole centres 90mm and 60mm |

RT6-LP Dimensions



RT6-LP electrical connections



2 panel mount model loop powered displays are also available

PM6-LP-4C is a 4 digit indicator and PM6-LP-6C is a 6 digit indicator with ratemeter/totaliser functions



Visit [AIC's website \(http://www.aicpl.com.au\)](http://www.aicpl.com.au) for information about all Amalgamated Instrument Co (AIC) products.