

WS-TPVRCO2 - Wall mount CO₂ /temperature/humidity sensor

0-10V outputs



Features

- Models for CO₂ plus temperature or CO₂ plus temperature and humidity
- CO₂ range 0 to 2,000 ppm
- Temperature range 0°C to +50°C
- Relative humidity 0 to 100%
- Outputs 0-10V
- Optional LEDs for CO₂ indication
- NDIR sensor for accuracy and stability
- Typical life 15 years

Description

The TPVRCO2 range of room sensors provide CO₂ measurement using NDIR technology and can be supplied with optional temperature and relative humidity outputs. Optional LEDs can be added to provide indication of the measured CO₂ concentration levels.

The CO₂ sensor employs Automatic Background Calibration (ABC Logic) to continuously adjust the calibration base to correct for changes in the background concentration levels and sensor drift. The CO₂ sensor calibration algorithm starts after the first 24hrs of operation and continuously monitors and automatically adjusts the sensor calibration over the life time of the product.

The ABC Logic self-calibration takes place over a 24 hour period of operation when the space being monitored is subjected to an unoccupied period and the background CO₂ concentration is subjected to the prevailing external level.

This transducer is ideal for direct connection to a PLC or can be used with AIC's extensive range of DC analog input instrumentation. Visit [AIC's website \(http://www.aicpl.com.au\)](http://www.aicpl.com.au) for information about Amalgamated Instrument Co (AIC) instrumentation products.

Order Code

WS-TPVRCO2T - CO₂ plus temperature (no leds)

WS-TPVRCO2HT - CO₂ plus temperature plus humidity (no leds)

WS-TPVRCO2T/L - CO₂ plus temperature with front leds

WS-TPVRCO2HT/L - CO₂ plus temperature plus humidity with front leds

WSTPVR-1.0-0

AMALGAMATED INSTRUMENT CO PTY LTD

ACN: 001 589 439

Unit 5, 28 Leighton Place Hornsby
NSW 2077 Australia

Telephone: +61 2 9476 2244
Facsimile: +61 2 9476 2902

e-mail: sales@aicpl.com.au
Internet: www.aicpl.com.au

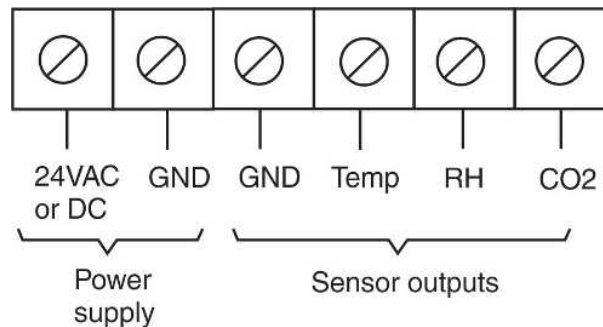
Specifications

Enclosure:	Flame retardant polycarbonate
Outputs:	0-10VDC for 0-2,000 ppm, 0°C to +50°C and 0 to 100% (optional)
Sensor	NDIR technology
Supply:	24VAC or DC $\pm 15\%$
Current consumption:	100mA
Dimensions:	80mm x 80mm x 29mm
Accuracy:	CO ₂ ± 40 ppm + 2% of reading Temperature $\pm 0.5^\circ\text{C}$ Humidity $\pm 3\%$ RH
Operating conditions:	0 to +50°C, 10 to 80% RH non condensing
Warm up:	2 mins operational, 10 mins peak accuracy
Optional LEDES:	Green (below 800 ppm) Yellow (800 to 1,500 ppm) Red (above 1,500 ppm)
Electrical connections:	Screw terminals (max 1mm ² cable)
Sensor lifespan:	Typically 15 years

Applications

Ideal for Offices, Schools, Universities, Sports Halls, Leisure Centres and other public buildings.

Connection Details



Associated sensors

Other sensors in this range include:

- Carbon Monoxide (CO) sensors (0-5V, 0-10V or 4-20mA output versions available)
- Temperature sensors (indoor and outdoor types) with 4-20mA output
- Black bulb temperature sensors (Pt100, Pt1000, 4-20mA or 0-10VDC output versions available)
- Humidity and combined humidity/temperature sensors (0-10V or 4-20mA output versions available)
- Light sensors (indoor and outdoor types with 0-10V or 4-20mA output)
- Rain sensors
- Differential pressure sensors

WSTPV1-1.0-0

AMALGAMATED INSTRUMENT CO PTY LTD

ACN: 001 589 439

Unit 5, 28 Leighton Place Hornsby
NSW 2077 Australia

Telephone: +61 2 9476 2244
Facsimile: +61 2 9476 2902

e-mail: sales@aicpl.com.au
Internet: www.aicpl.com.au