

# Panel Mount Instrument PM5-TMR

Timer displays.



4 digit LED 20mm digit height



4 digit LCD 12.7mm digit height



5 digit LED 14.2mm digit height



6 digit LED 14.2mm digit height



8 digit LED 10mm digit height



6 digit LCD 12.7mm digit height

## Features

- Flexible timing operation modes
- Pushbutton programming
- Accepts a wide range of control input sensor types
- Displays seconds or min.sec or hour.min. sec etc depending on display type
- Electrical isolation between input signal/output/power supply
- Rugged construction
- 240V, 110V, 32V, 24V AC or 12 to 48 V DC supply (factory configured)
- Selectable 5, 12 or 18VDC sensor supply
- Remote switch input allows functions including reset, preset, peak hold, display hold etc.
- Up/down count timer modes
- 2 year guarantee
- Wide range of options available including:
  - Single or dual analog retransmission
  - Additional setpoint relays
  - RS232 or RS485 output
  - 16 bit digital output (PNP or NPN factory configured)
  - Ethernet comms.
  - Isolated sensor supply 24VDC ( $\pm 12$ VDC)

Combinations of options are available, see page 3 of this brochure for a full list.



PM5TMR -1.1-0

**AMALGAMATED INSTRUMENT CO**

ABN: 80 619 963 692

Unit 5, 28 Leighton Place Hornsby  
NSW 2077 Australia

Telephone: +61 2 9476 2244  
Facsimile: +61 2 9476 2902

e-mail: [sales@aicpl.com.au](mailto:sales@aicpl.com.au)  
Internet: [www.aicpl.com.au](http://www.aicpl.com.au)

# Specifications

## Technical Specifications

Input types: Selectable to suit most sensor types. The maximum input voltage is 48VDC with appropriate settings

Operation: Nine operation modes available

Impedance: 1MΩ in normal mode or 12KΩ in attenuated input mode

Microprocessor: MC68HC12 CMOS

Ambient temp: LED models -10°C to 60°C, LCD models -10°C to 50°C

Humidity: 5% to 95% non condensing

Display types: **LED models:**  
 4 digit 20mm,  
 5 digit 14.2mm, status LEDs and 4 way keypad.  
 6 digit 14.2mm and 4 way keypad  
 8 digit 10.2mm and 4 way keypad  
 20 segment LED bar graph,  
 5 digit display and 4 way keypad  
**LCD models:**  
 4 digit or 6 digit 12.7mm

Power supply: 240, 110, 48, 32, 24VAC 50/60Hz, 12 to 48VDC or 50 to 110VDC (factory configured)

Sensor supply: Selectable 5, 12 or 18VDC (25mA max.)

Power usage: AC supply 4 VA max, DC supply, consult supplier

Output (standard): 1 x relay, form A, rated 5A resistive

Relay action: Programmable N.O. or N.C. or pass mode

## Output Options - see order code section

## Physical Characteristics

Bezel size: DIN 48mm x 96mm x 10mm

Case size: 44mm x 91mm x 115mm behind face of panel

Panel cut out: 45mm x 92mm (+1mm & -0mm)

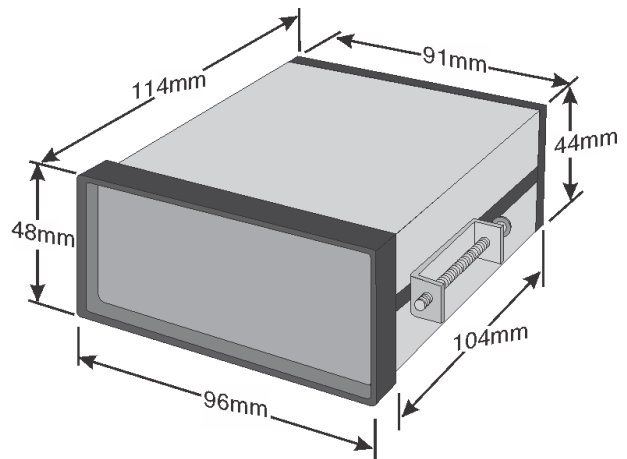
Connections: Plug in screw terminals (max 2.5mm<sup>2</sup> wire)

Weight: 400g basic model, 450g with option card

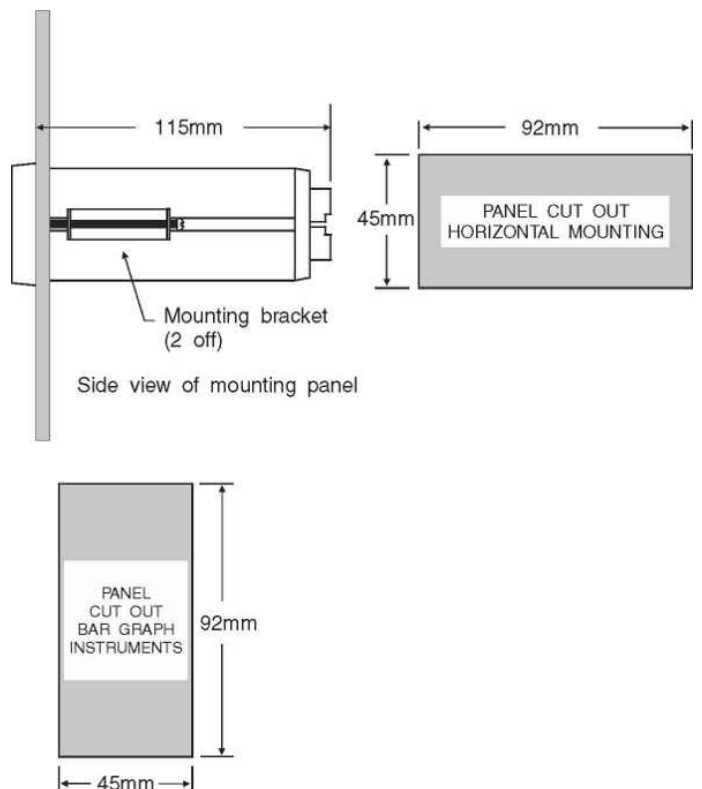
## PM5-TMR Accessories

Description	Model No.
IP67 access cover	COVER-PM-IP67
Wall mount enclosure	ENC-PM1-02
IP65 wall mount encl. with IP67 cover	ENC-PM1-02-IPCOV
Surface mount kit	PM4-OPT-SMKIT
Portable/bench enclosure AC	ENC-PM-AC
Portable/bench enclosure DC	ENC-PM-DC

## Case dimensions



## Panel mounting details



## Order codes e.g. PM5-TMR-240-5E

The last section is for optional outputs, if required. (Note: only one of the optional outputs below can be fitted).

PM5-TMR-	<input type="text"/>	-	<input type="text"/>	-	<input type="text"/>
	↑ ↑ ↑				
	Power supply				
240	-----		-----		240VAC
110	-----		-----		110VAC
48A	-----		-----		48VAC
32A	-----		-----		32VAC
24A	-----		-----		24VAC
DC	-----		-----		12 to 48VDC isolated
	Display type				
4E	-----		-----		4 digit 20mm red LED
4C	-----		-----		4 digit 12.7mm LCD
5E	-----		-----		5 digit 14mm red LED with front keypad and alarm annunciators
5BP	-----		-----		5 digit 7.6mm red LED + 20 segment bargraph and alarm annunciators
6E	-----		-----		6 digit 14mm red LED with front keypad
6C	-----		-----		6 digit 12.7mm LCD
	Optional outputs				
R	----		----		One extra relay (form C, 5A @ 240VAC)
RR	----		----		Two extra relays (form C, 5A @ 240VAC)
RRR	----		----		Three extra relays (form C, 5A @ 240VAC)
R6	----		----		Six extra relays (form A 2A @ 240VAC)
R12	----		----		One extra relay (form A, 3A @ 240VAC) plus +/- 12V (24V) supply (20mA max.)
I	----		----		Isolated 4-20mA retransmission 12 bit
A	----		----		Isolated 4-20mA or DCV retransmission 16 bit
IR	----		----		Isolated 4-20mA retransmission 12 bit + extra relay (form A, 3A @ 240VAC)
AR	----		----		Isolated 4-20mA or DCV retransmission 16 bit + extra relay (form A, 3A @ 240VAC)
*IRRR	----		----		Isolated 4-20mA retransmission 12 bit + 3 extra relays (form A, 2A @ 240VAC)
ARRR	----		----		Isolated 4-20mA or DCV retransmission 16 bit + 3 extra relays (form A, 2A @ 240VAC)
*IR6	----		----		Isolated 4-20mA retransmission 12 bit + 6 extra relays (form A, 2A @ 240VAC)
AR6	----		----		Isolated 4-20mA or DCV retransmission 16 bit + 6 extra relays (form A, 2A @ 240VAC)
II	----		----		Dual isolated 4-20mA retransmission 12 bit
AA	----		----		Dual isolated 4-20mA or DCV retransmission 16 bit
IIR	----		----		Dual isolated 4-20mA retransmission 12 bit + extra relay (form A, 3A @ 240VAC)
AAR	----		----		Dual isolated 4-20mA or DCV retransmission 16 bit + extra relay (form A, 3A @ 240VAC)
12	----		----		+/- 12V (24V) or +/- 5V (10V) supply (20mA max.)
12I	----		----		+/- 12V (24V) or +/- 5V (10V) supply (20mA max.) + isolated 4-20mA retransmission 12 bit
12A	----		----		+/- 12V (24V) or +/- 5V (10V) supply (20mA max.) + isolated 4-20mA or DCV retransmission 16 bit
12IR	----		----		+/- 12V (24V) or +/- 5V (10V) supply (20mA max.) + isolated 4-20mA retransmission 12 bit + extra relay (form A, 3A @ 240VAC)
12AR	----		----		+/- 12V (24V) or +/- 5V (10V) supply (20mA max.) + isolated 4-20mA or DCV retransmission 16 bit + extra relay (form A, 3A @ 240VAC)
DP	----		----		16 bit PNP digital output with 5/24V excitation
DPR	----		----		16 bit PNP digital output with 5/24V excitation plus extra relay (form A, 3A @ 240VAC)
DN	----		----		16 bit NPN digital output with 5/24V excitation
DNR	----		----		16 bit NPN digital output with 5/24V excitation plus extra relay (form A, 3A @ 240VAC)
2	----		----		RS232 comms.
2R	----		----		RS232 comms. + 1 extra relay (form A, 3A @ 240VAC)
2RRR	----		----		RS232 comms. + 3 extra relays (form A, 2A @ 240VAC)
2R5	----		----		RS232 comms. + 5 extra relays (form A, 2A @ 240VAC)
*2I	----		----		RS232 comms. + isolated 4-20mA retransmission 12 bit
2A	----		----		RS232 comms. + isolated 4-20mA or DCV retransmission 16 bit
*2IR	----		----		RS232 comms. + isolated 4-20mA retransmission 12 bit + extra relay (form A, 2A @ 240VAC)
2AR	----		----		RS232 comms. + isolated 4-20mA or DCV retransmission 16 bit + extra relay (form A, 2A @ 240VAC)
4	----		----		RS485 comms.
4R	----		----		RS485 comms. + 1 extra relay (form A, 3A @ 240VAC)
4RRR	----		----		RS485 comms. + 3 extra relays (form A, 2A @ 240VAC)
4R5	----		----		RS485 comms. + 5 extra relays (form A, 2A @ 240VAC)
*4I	----		----		RS485 comms. + isolated 4-20mA retransmission 12 bit
4A	----		----		RS485 comms. + isolated 4-20mA or DCV retransmission 16 bit
*4IR	----		----		RS485 comms. + isolated 4-20mA retransmission 12 bit + extra relay (form A, 3A @ 240VAC)
4AR	----		----		RS485 comms. + isolated 4-20mA or DCV retransmission 16 bit + extra relay (form A, 3A @ 240VAC)
ET	----		----		Ethernet comms. + RS232 or RS485 (Power over Ethernet available with PM5 DC supply models)
ETR	----		----		Ethernet comms. + RS232 or RS485 + 1 extra relay (form A, 3A @ 240VAC)
ETDL	----		----		Ethernet comms. + RS232 or RS485 + 8Mbyte data logger (Power over Ethernet available with PM5 DC supply models)
ETDLR	----		----		Ethernet comms. + RS232 or RS485 + 8Mbyte data logger + 1 extra relay (form A, 3A @ 240VAC) (Power over Ethernet available with PM5 DC supply models)

\* means not a normal stock item - check availability, minimum order quantity may apply

PM5TMR -1.1-0

**AMALGAMATED INSTRUMENT CO**

ABN: 80 619 963 692

Unit 5, 28 Leighton Place Hornsby  
NSW 2077 Australia

Telephone: +61 2 9476 2244  
Facsimile: +61 2 9476 2902

e-mail: sales@aicpl.com.au  
Internet: www.aicpl.com.au